



CLIP-IN SYSTEM

Technical Info:

Product: Galvanised Steel

Sizes: 600x600 mm, 300x600 mm, 600x1200 mm

Thickness: 0.50 mm, 0.70 mm

Surface: Electrostatic Powder Coated

Perforation: ØNone or Ø1.8-2.5mm hole diameter with 10-50-100mm bordure

Suspension Sys: Hot Dip Galvanised Steel, Black

Edge Detail: 20-30 mm up-turns, as specified

Color: RAL 9016, Standart White

Fire Resistance: Class A as steel

Specification:

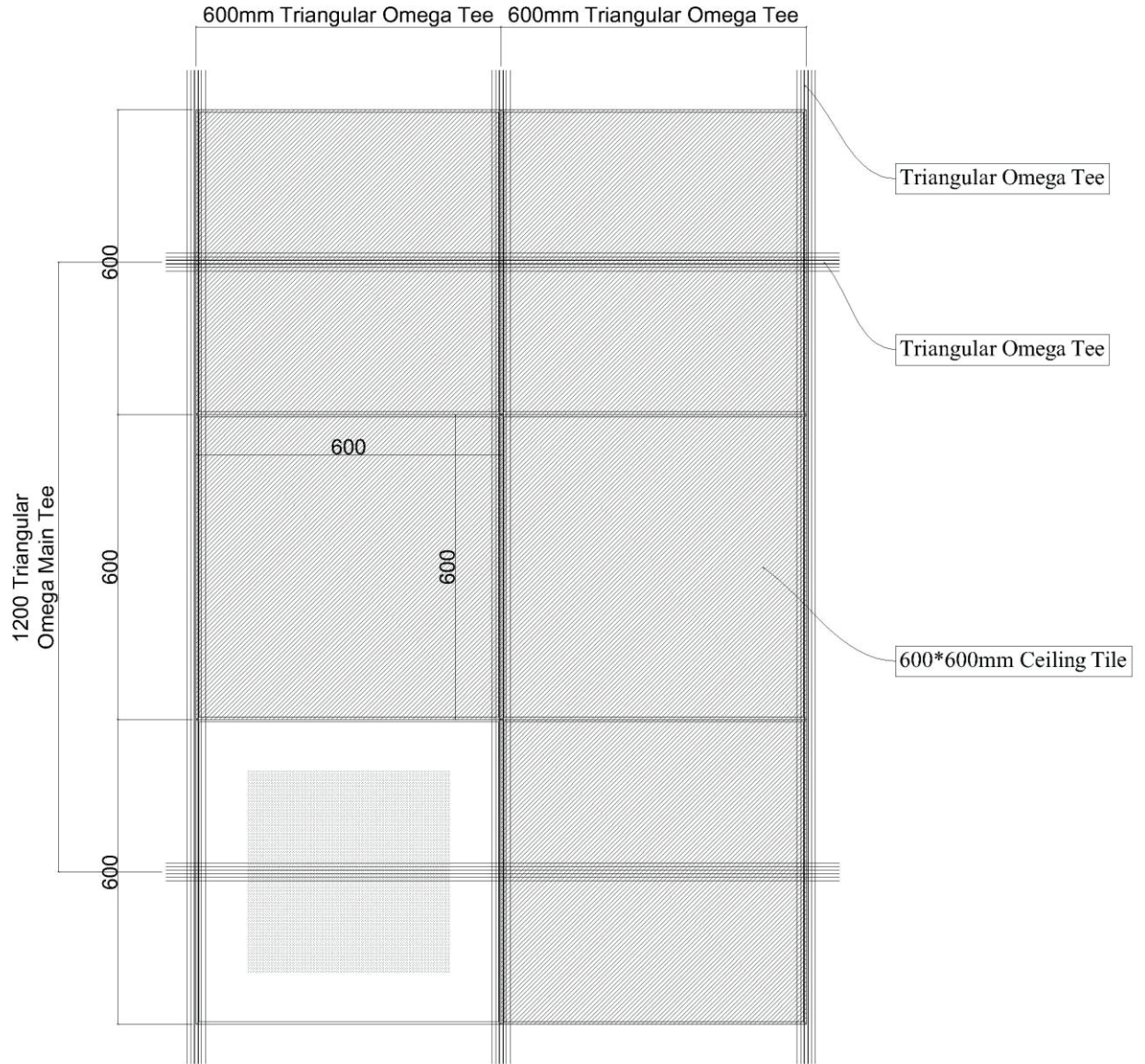
The standard clip-on system consists of a concealed support structure with removable tiles. Triangle can be attached to the omega main runner. The network system is not visible. All panels independently detachable. This provides easy and quick access to the ceiling cavity.

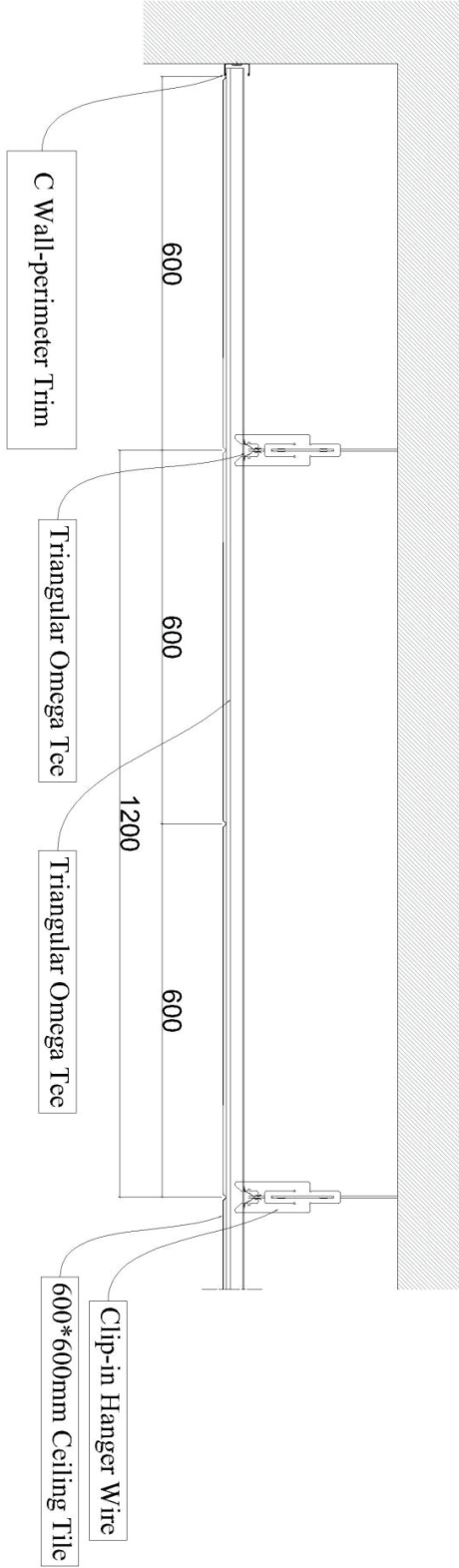
Visual:



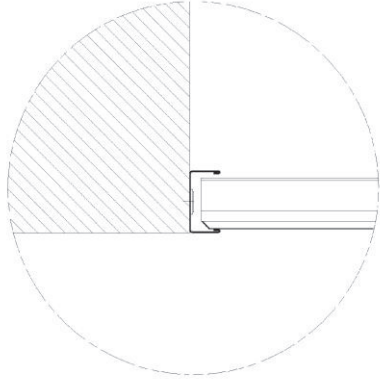
Technical Drawings:

CLIP-IN SYSTEM, CONCEALED
STANDARD LAYOUT
600*600 mm.

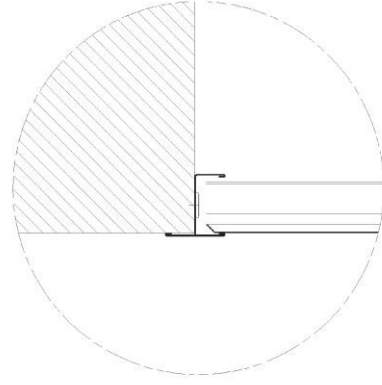




SECTION



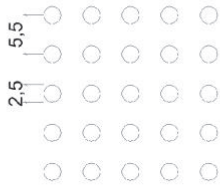
'C' Wall-perimeter Trim



'H' Wall-perimeter Trim

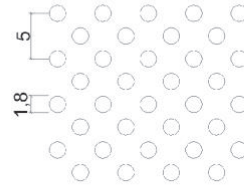
Perforation

full 2.5 mm perf.



Hole Diameter : \varnothing 2.5 mm.
Axis (center to center) : 5.5 mm. , 90°
Perforation : Regular

full diagonal 1.8 mm perf.



Hole Diameter : \varnothing 1.8 mm.
Axis (center to center) : 5 mm. , 45°
Perforation : Diagonal