



HOOK-ON SYSTEM

Technical Info:

Product: Galvanised Steel

Sizes: width: 600x600 mm, 300x600 mm, 600x1200 mm

Thickness: 0.50 mm, 0.70 mm

Surface: Electrostatic Powder Coated

Perforation: None or \varnothing 1.8-2.5mm hole diameter with 10 - 50 - 100 mm bordure

Suspension Sys: Hot Dip Galvanised Steel, Black

Edge Detail: 20 - 30 mm up-turns, as specified

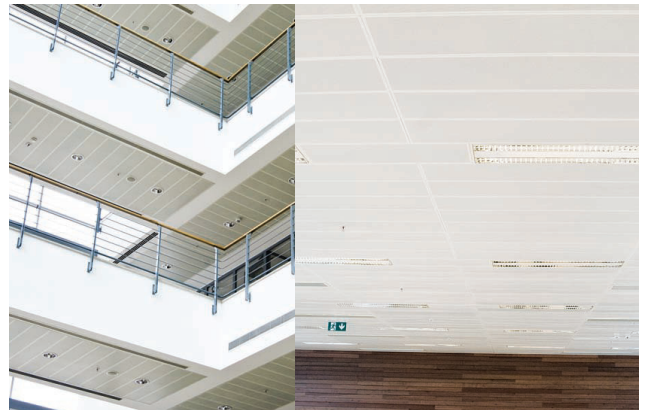
Fire Resistance: Class A as steel

Color: RAL 9016, Standart White

Specification:

The hook system, also called concealed, allows the ceiling tiles to rest on the hook is created. We create a profile (Z and L shape). All tiles are manual without any special tools as removable. The system therefore provides quick and easy access to the headroom.

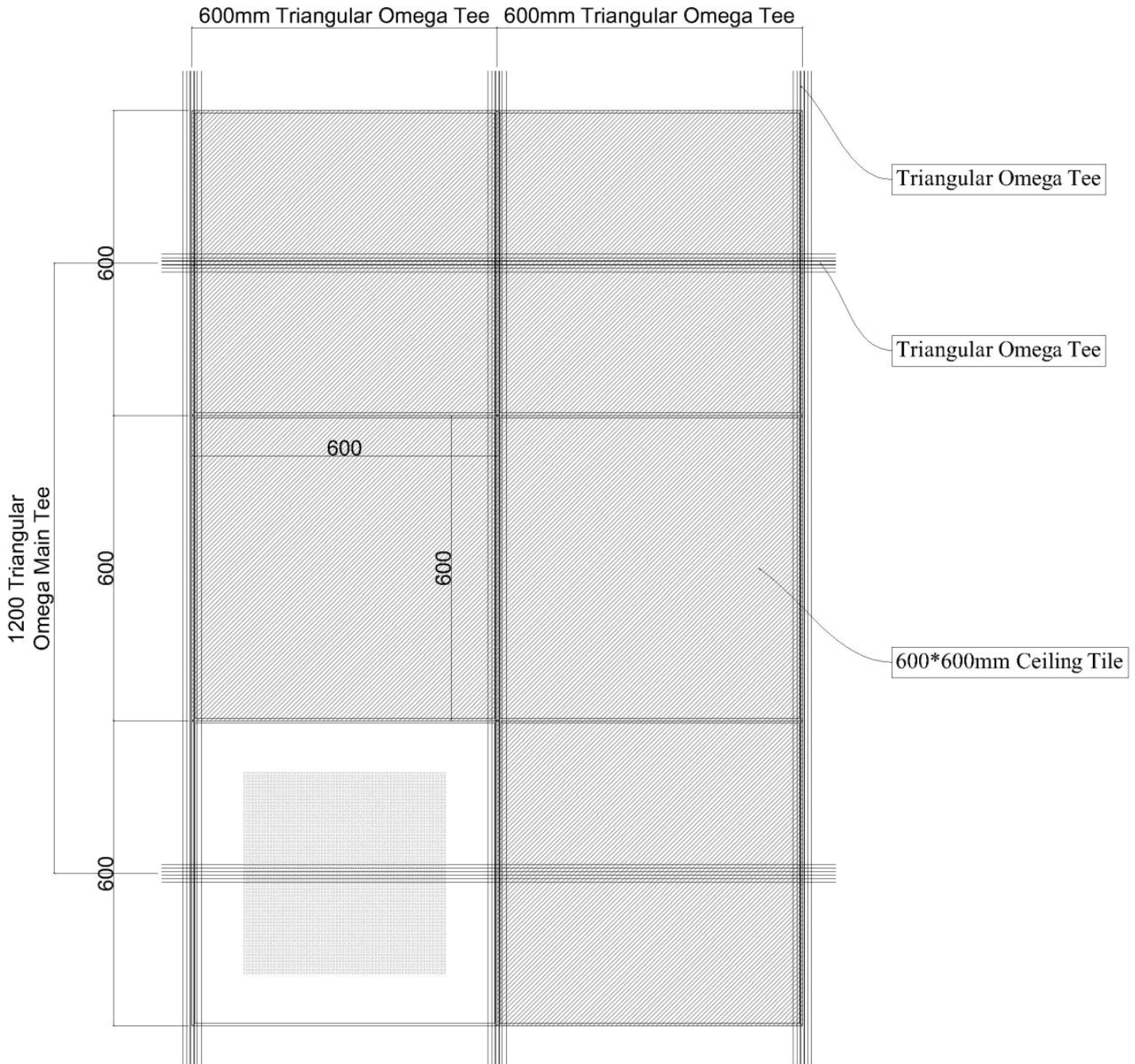
Visual:

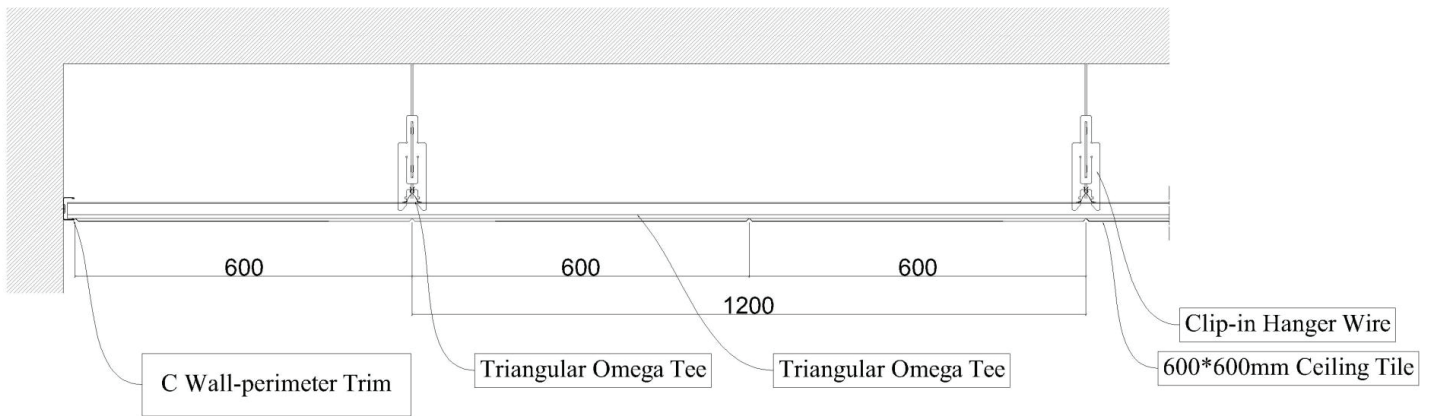




Technical Detail:

CLIP-IN SYSTEM, CONCEALED
STANDARD LAYOUT
600*600 mm.

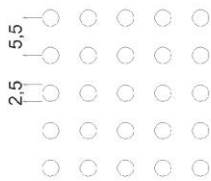




SECTION

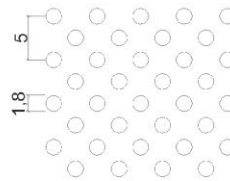
Perforation:

full 2.5 mm perf.

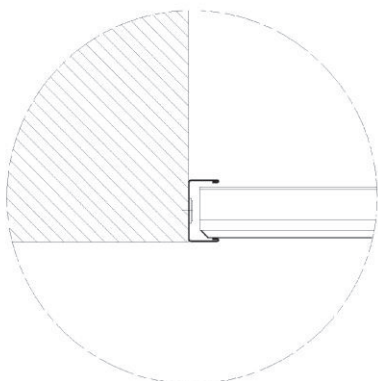


Hole Diameter : \varnothing 2.5 mm.
 Axis (center to center) : 5.5 mm. , 90°
 Perforation : Regular

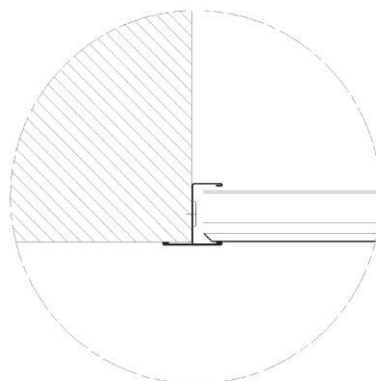
full diagonal 1.8 mm perf.



Hole Diameter : \varnothing 1.8 mm.
 Axis (center to center) : 5 mm. , 45°
 Perforation : Diagonal



'C' Wall-perimeter Trim



'H' Wall-perimeter Trim